

TRF416

TAMIYA RACING FACTORY

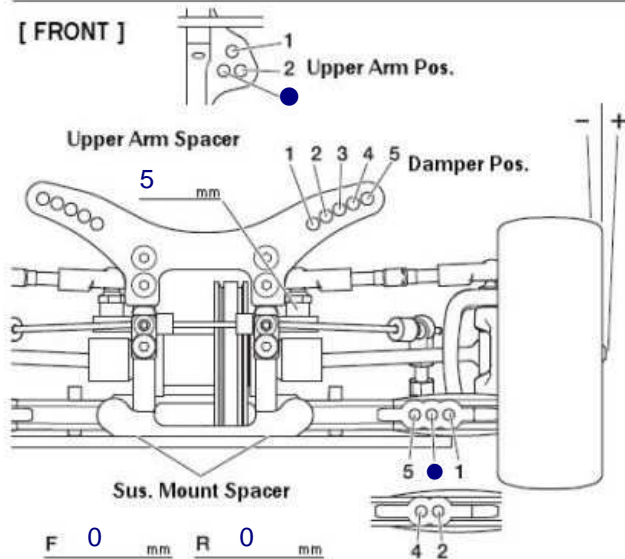
CHASSIS KIT

1/10 SCALE R/C 4WD RACING CAR
TRF416 CHASSIS KIT

SETTING SHEET

Name	Date	Air Temp.	Humidity
	Aug.2008		
Track	Track Condition	Track Temp	
	Med grip		

[FRONT]



Castor Blocks	<input checked="" type="checkbox"/> 4'
Camber	1,5 °
Ride Height	4,5 mm
Drop	5,5 mm
Front Axle	<input checked="" type="checkbox"/> One way <input checked="" type="checkbox"/> Diff <input type="checkbox"/> Spool
Roll bar	None <input checked="" type="checkbox"/> <input checked="" type="checkbox"/> <input checked="" type="checkbox"/>
Wheel Spacer	0mm mm

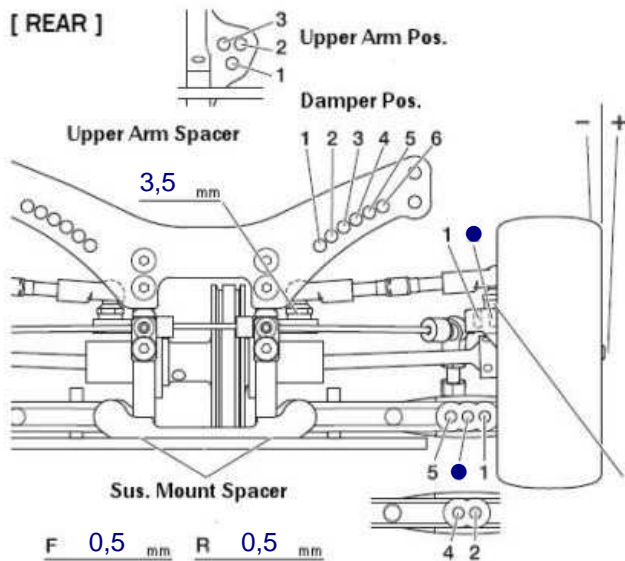


Shock Bushing	no	Piece(s)
Piston	3	Holes
Oil	AE 35	Weight
Spring	HPI pink	
Shock Length		mm
Wheel Hex	4	mm
Rebound	30	%

Notes

Yaad damper mount pos. 3 in. Long suspension arm.

[REAR]



Rear Hub	Square 0 °
Camber	1,5 °
Ride Height	5 mm
Drop	4,5 mm
Roll bar	None <input checked="" type="checkbox"/> <input checked="" type="checkbox"/> <input checked="" type="checkbox"/>
Wheel Spacer	0,5 mm
Upper Arm Spacer	2 mm

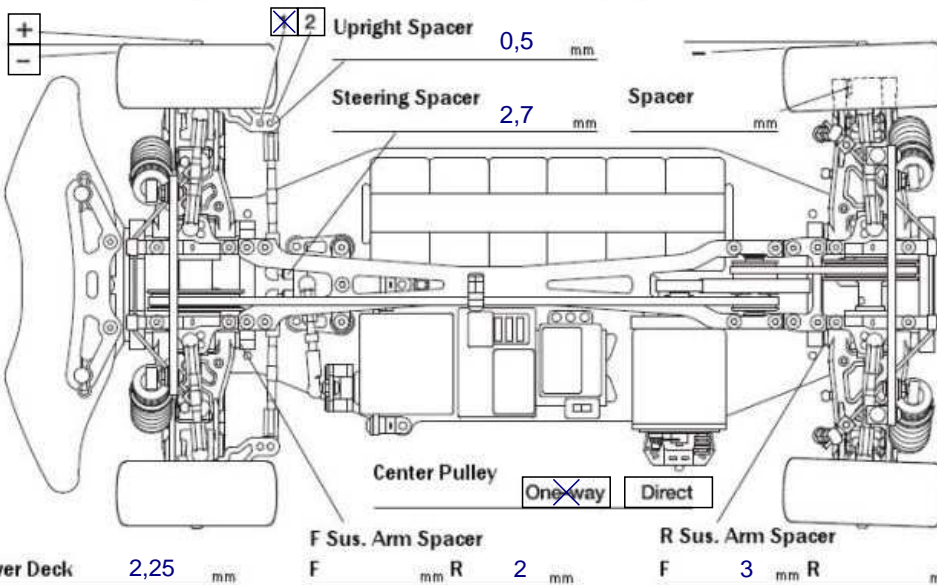


Shock Bushing	no	Piece(s)
Piston	3	Holes
Oil	AE 40	Weight
Spring	HPI Silver	
Shock Length		mm
Wheel Hex	4 mm	mm
Rebound	30	%

Yaad damper mount. Pos 3 in. Long suspension arm

Toe Angle +0,5 °

F Sus. Mount F **1A** R **1A** R Sus. Mount F **1XA** R **1D**



Motor	Novak 8,5 control motor
Spur	Pinion
	76 T 30 T
Battery	Digipeak
Body	PF Mazda Speed 6
Wing	STD
Tire	LRP 27
Wheel	Soft upper deck
Insert	No center post in motor m.
Best Lap	19,45 (18,27)